

## i3SWEEZZ SESUNI(L)

The digital school board or touchscreen can be “sweezed” to each class for targeted explanation and learning. That way the rest of the class is less distracted. Also very suitable for giving lessons in combined classes. The long-run electrical height adjustment allows teachers to use the entire board - little children can also work on the board. The i3SWEEZZ is of very solid and stable construction and extremely flexible to use.



**For Smartboard\* in combination with the most common ultra-short throw projectors SESUniL-01**

\* Installation with column also useful for smartboard



**For widescreen Smartboard\* in combination with the most common ultra-short throw projectors SESUniL-01**

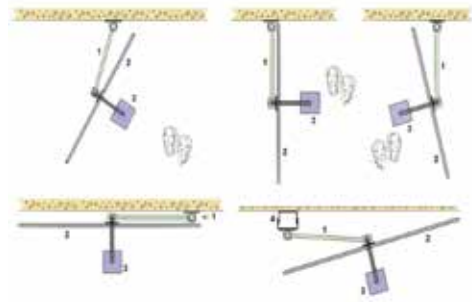
\* When installed with column, the SESUniL-01 installation is sufficient.



## SPECIFICATIONS

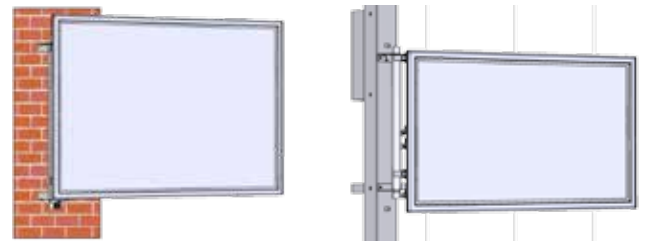
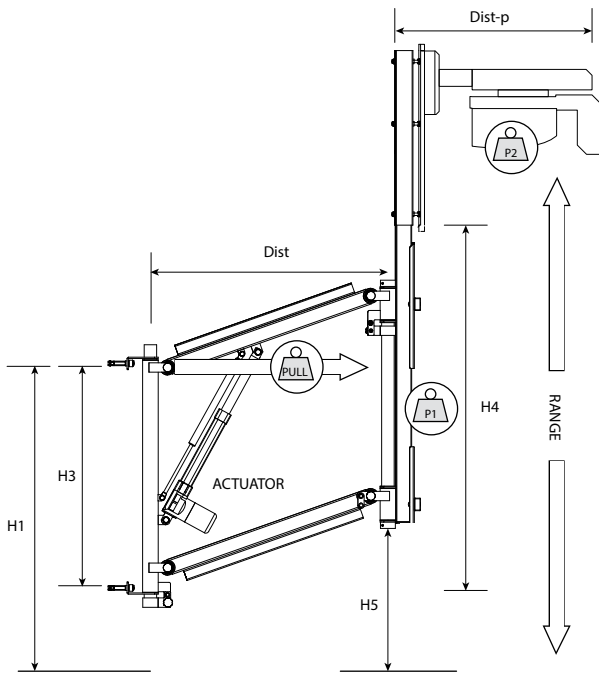
i3SWEEZZ Electric	SESUNI(L)-01
Actuator	2000 Newton
dist.	± 80 cm (4:3) - (L) ±107 (16:10)
range	± 67 cm
H4 (board)	99 - 144 cm
aspect	4:3 / 16:10 / 16:9
P1	max. 40 kg
dist-p	depending on projector mount
P2 (dist-p = 150 cm)	max. 8 kg
	max. 12 kg
H1	160 - 175 cm
H3	72 cm
H5 (H1=165 cm)	58 - 125 cm
H6 (□ H1 = 165 cm) pos. 1:	28 - 95 cm
pos. 3:	38 - 105 cm
pos. 5:	48 - 115 cm
Pull (Situation A)	≤ 115 kg
Pull (Situation B)	≤ 45 kg

### Using i3SWEEZZ in different positions



- 1 i3SWEEZZ
- 2 digiboard
- 3 beamer
- 4 shaft (option for low load-bearing walls)

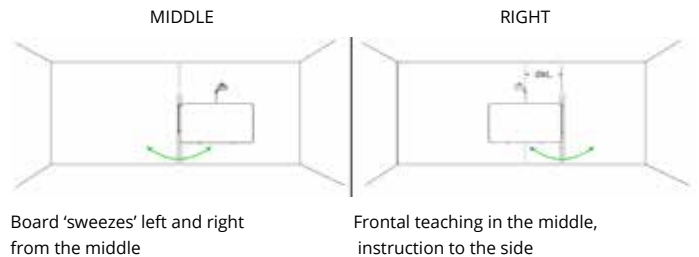
## TECHNICAL



• The i3SWEEZZ can be fixed direct to a stone wall by means of rawlplugs.

• A stand can be used for plaster and partition walls to provide sufficient load-bearing capacity.

Placing: middle, right, left, on a stand, between two frames, etc. - Turns through 360°.



Board 'sweezes' left and right from the middle

Frontal teaching in the middle, instruction to the side

## AUTHORISED RESELLER



WWW.I3-LEARNING.COM  
INFO@I3-LEARNING.COM

**USA**  
549 Ionia Ave. SW  
Grand Rapids, MI 49503  
USA  
T +616-451-7800  
F +616-451-9698

**BELGIUM**  
Kleine Schaluinweg 7  
3290 Diest  
Belgium  
T +32 (0)70 222 600  
F +32 (0)70 222 601

**NETHERLANDS**  
Duwboot 89  
3991 CG Houten  
Netherlands  
T +31 (0)30 212 20 10  
F +31 (0)30 212 20 11

**FRANCE**  
Parc d'activités de la Vallée  
de l'Escaut Waka 1, n° 9  
59264 Onnaing France  
T +33 (0)3 27 45 60 60  
F +33 (0)3 27 45 60 70

**GERMANY**  
Lohrheidestraße 72  
44866 Bochum  
Deutschland  
T +49 (0) 2327 960 50-0  
F +49 (0) 2327 960 50-50

**SCANDINAVIA**  
Lollandsvej 16  
5500 Middelfart  
Danmark  
T +45 64 41 04 90  
F +45 64 41 17 47